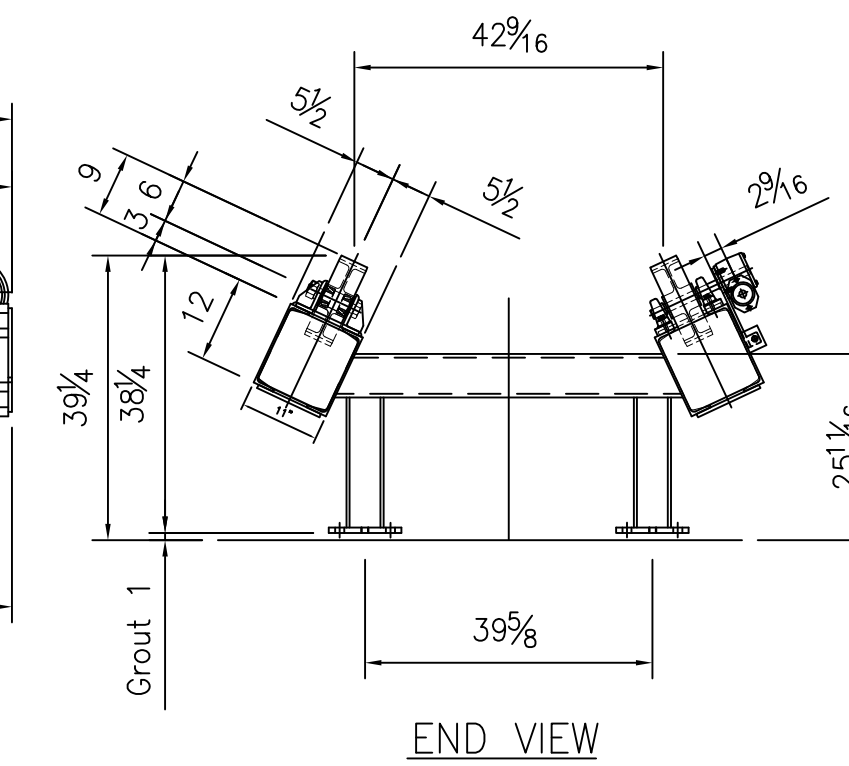
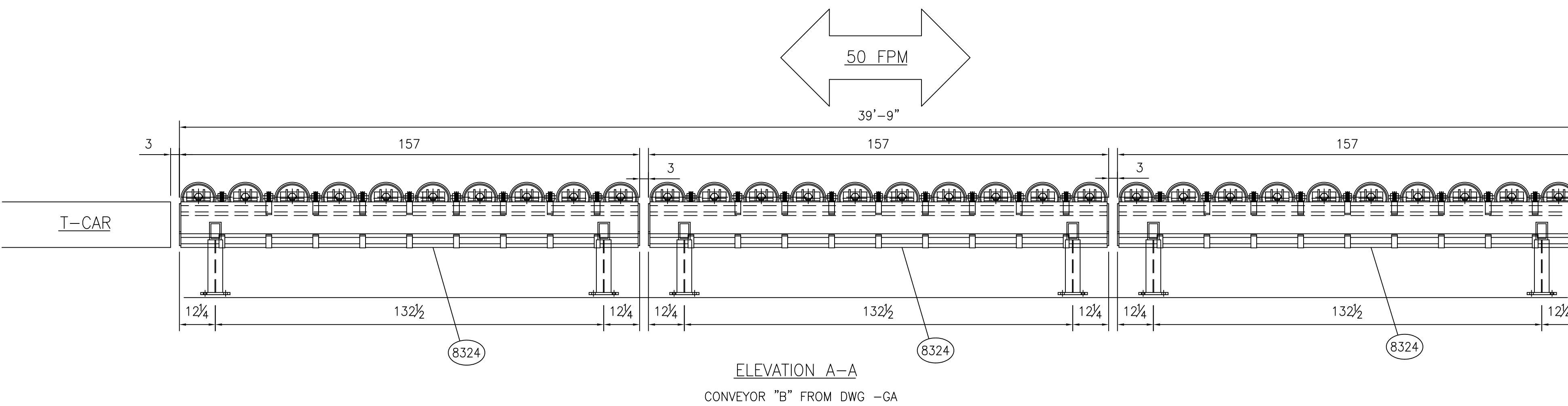
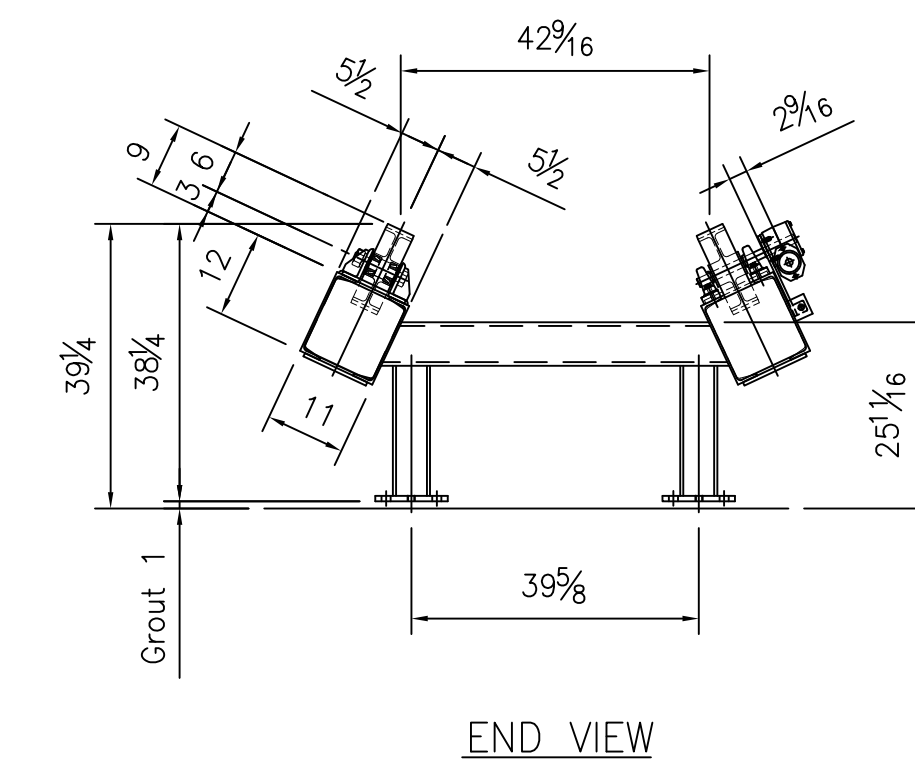
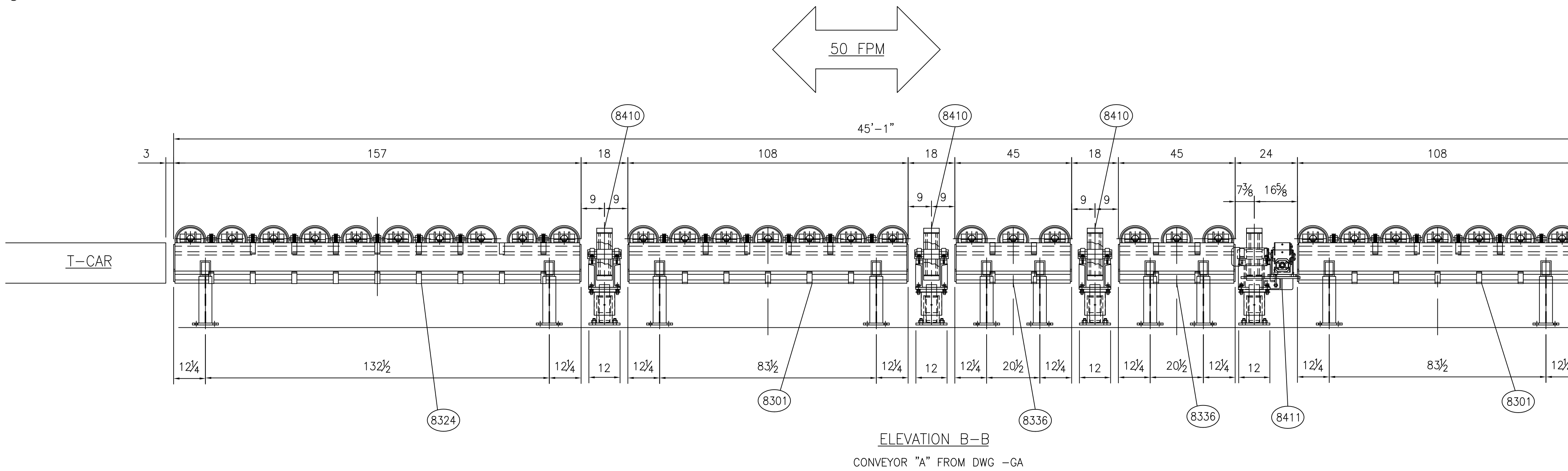


TOLERANCES EXCEPT AS NOTED:

- ① FABRICATION DEPT. $\pm 1/32"$
- ② INSIDE FRAME $+1/16"$
 $-0"$
- ③ WELD DEPT. $\pm 1/16"$
- ④ SQUARENESS $\pm 1/8"$
- ⑤ FORMED ANGLES $\pm 1"$
- ⑥ LASER CUT PARTS $\pm .010"$



LAUYANS & COMPANY, INC.
Innovative Engineering Solutions in Material Handling

LOUISVILLE KENTUCKY

TITLE
CONVEYOR ELEVATIONS

CUST.
UTLX MANUFACTURING

DATE: 6/19/17	CUST. P.O.	SHIP TO:	PLANT 6: SHELDON, TX
DRAWN: LAW	SCALE:	DWG. NO. LP00362	CAD FILE: LP00362-GA05
CHECKED:	JOB NO. LP00362	-G05	

"THIS DRAWING AND THE INFORMATION HEREIN IS CONFIDENTIAL AND/OR PROPRIETARY TO LAUYANS & COMPANY, INC. NEITHER THIS DRAWING NOR THE INFORMATION CONTAINED HEREIN MAY BE COPIED OR REPRODUCED, OR USED BY OTHERS IN ANY MANNER, WITHOUT THE EXPRESS WRITTEN CONSENT OF LAUYANS & COMPANY, INC., AND THIS DRAWING SHALL BE IMMEDIATELY RETURNED TO LAUYANS & COMPANY, INC. UPON REQUEST. ALL PATENT RIGHTS ARE RESERVED."

REV.	DATE	DESCRIPTION
C		
B		
A		